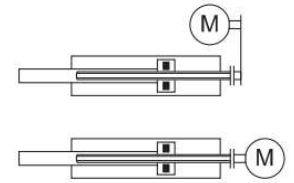


The IMT actuators are developed for application requiring linear movements and positioning to a high degree of accuracy, repeatability and speed variations in synchronised system.

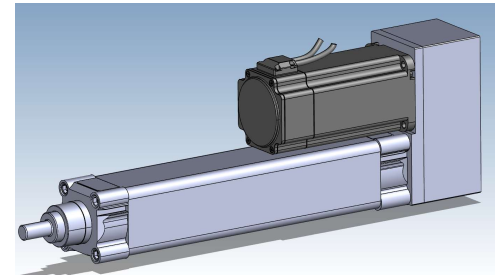
They are made with a ball screw, which is rotated by an electric motor, and a ball nut driving the external piston for the ISO 15552 cylinder.



Heads	7075 aluminum with anodized finish
Piston Rod	Chrome Plated Steel
Barrel	Anodized profiled aluminum tube
Seals	Polyurethane
Temperature Range	(-10° & +80°)
Standard	according to ISO15552

Standard Strokes	Up to 600 mm as standard, more on Request
Nominal Cylinder Force	500 N
Max. Speed	250 mm / sec Δ 3000 rpm
Ball Screw	12 x 5 mm
Ball Screw Capacity	Static 5 KN Dynamic 8,6 KN
Motor Type	Servo or Stepper

Degree of protection to IEC 60529	IP54
Duty cycle [%]	100
Max. acceleration	12 [m/s ²]
Max. rotational speed	3500 RPM
Repetition accuracy	±0.03 mm

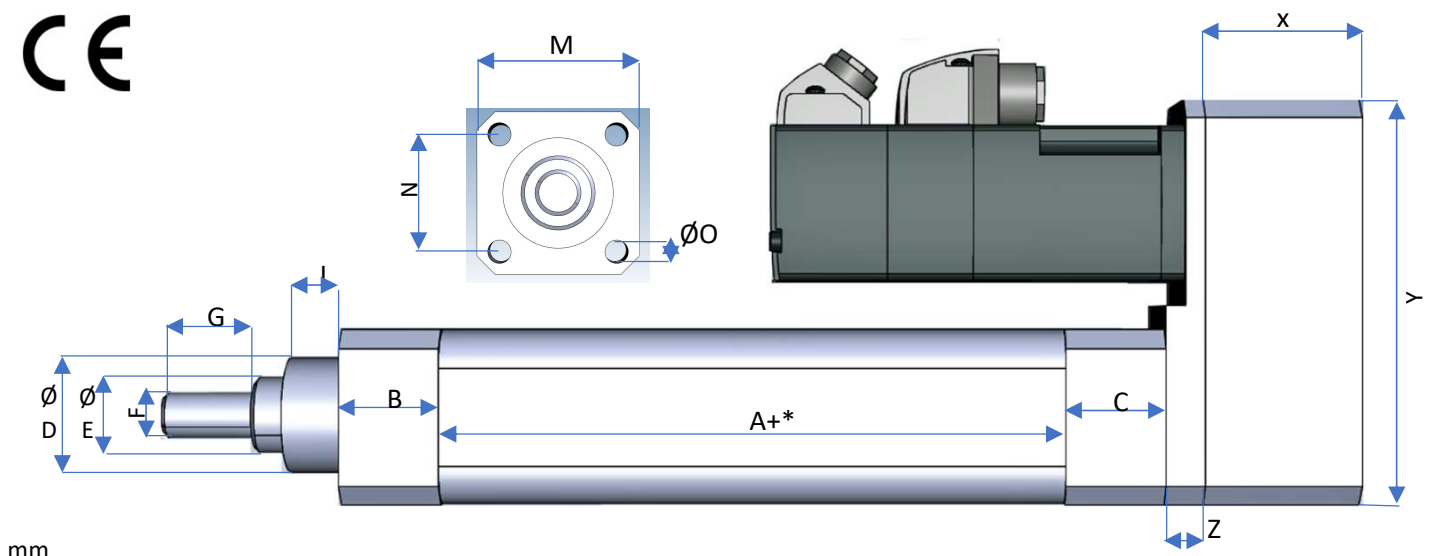


Other Options

- Extended Rod
- Special Piston rod thread
- IP65
- Stainless Steel Piston Rod
- Internal Linear Encoder SSI

Suitable for all Pneumatic Cylinder mounting Equipment.

Piston rod protected against rotation (up to 600mm) with plain-bearing guide



mm

A	B	C	ØD	ØE	F	G	I	M	N	Z	X**	ØO
70	25	25	29,5	20	M10x1,25	22	18	45	32,5	10	50	M6

* Stroke

** X,Y,Z Varies depending on the selected Motor