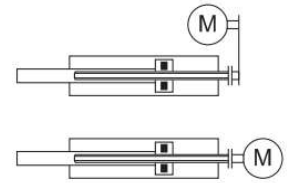


The IMT actuators are developed for application requiring linear movements and positioning to a high degree of accuracy, repeatability and speed variations in synchronised system.

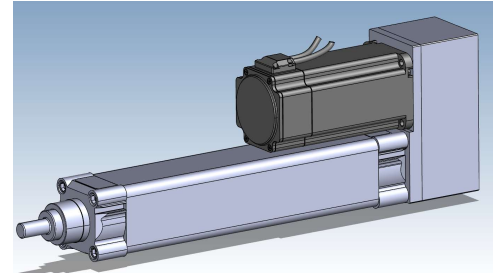
They are made with a ball screw, which is rotated by an electric motor, and a ball nut driving the external piston for the ISO 15552 cylinder.



<b>Heads</b>	7075 aluminum with anodized finish
<b>Piston Rod</b>	Chrome Plated Steel
<b>Barrel</b>	Anodized profiled aluminum tube
<b>Seals</b>	Polyurethane
<b>Temperature Range</b>	(-10° & +80°)
<b>Standard</b>	according to ISO15552

<b>Standard Strokes</b>	Up to 800 mm as standard, more on Request
<b>Nominal Cylinder Force</b>	1000 N
<b>Max. Speed</b>	635 mm / sec Δ 3000 rpm
<b>Ball Screw</b>	12,7 x 12,7 mm
<b>Ball Screw Capacity</b>	Static 8 KN Dynamic 15,5 KN
<b>Motor Type</b>	Servo or Stepper

<b>Degree of protection to IEC 60529</b>	IP54
<b>Duty cycle [%]</b>	100
<b>Max. acceleration</b>	12 [m/s <sup>2</sup> ]
<b>Max. rotational speed</b>	3500 RPM
<b>Repetition accuracy</b>	±0.03 mm

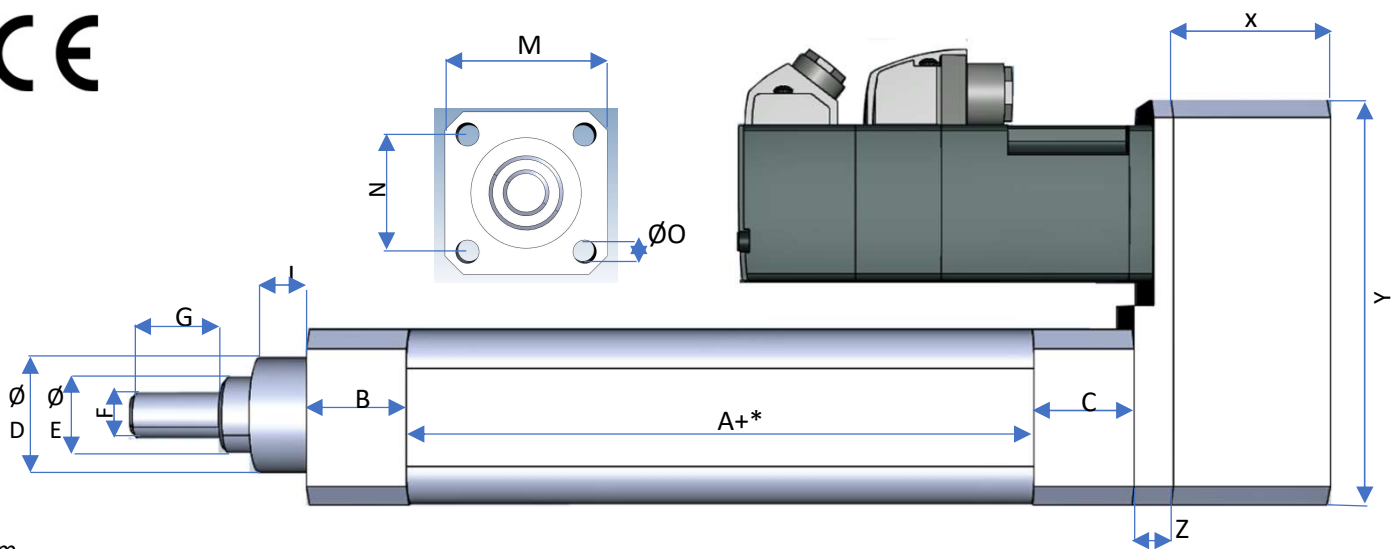


### Other Options

- Extended Rod
- Special Piston rod thread
- IP65
- Stainless Steel Piston Rod
- Internal Linear Encoder SSI

Suitable for all Pneumatic Cylinder mounting Equipment.

Piston rod protected against rotation (up to 600mm) with plain-bearing guide



mm

A	B	C	ØD	ØE	F	G	I	M	N	Z	X**	ØO
<b>70</b>	29,5	29,5	35	25	M12x1,25	24	21,5	55	38	15	60	M6

\* Stroke

\*\* X,Y,Z Varies depending on the selected Motor