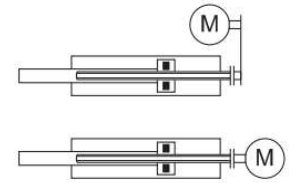


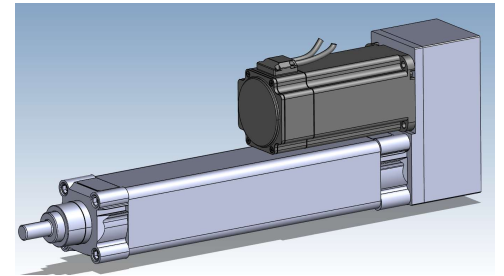
The IMT actuators are developed for application requiring linear movements and positioning to a high degree of accuracy, repeatability and speed variations in synchronised system.

They are made with a ball screw, which is rotated by an electric motor, and a ball nut driving the external piston for the ISO 15552 cylinder.



Heads	7075 aluminum with anodized finish
Piston Rod	Chrome Plated Steel
Barrel	Anodized profiled aluminum tube
Seals	Polyurethane
Temperature Range	(-10° & +80°)
Standard	according to ISO15552

Standard Strokes	Up to 1000 mm as standard, more on Request
Nominal Cylinder Force	3500 N
Max. Speed	800 mm / sec Δ 3000 rpm
Ball Screw	16 x 16 mm
Ball Screw Capacity	Static 14,29 KN Dynamic 7,19 KN
Motor Type	Servo or Stepper



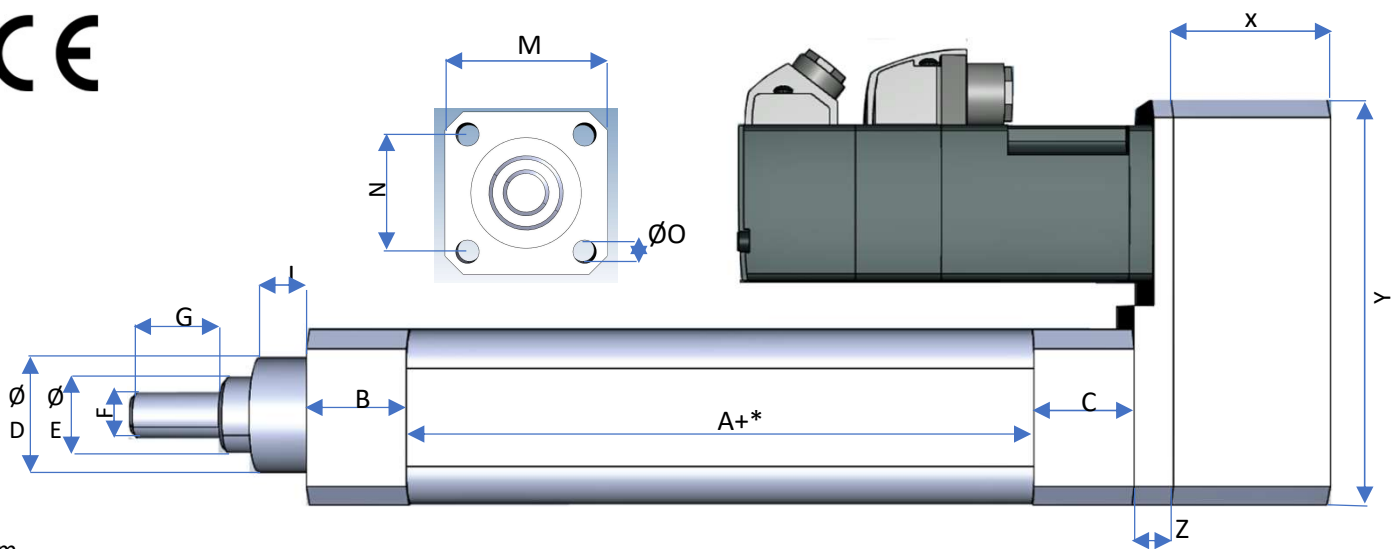
Other Options

- Extended Rod
- Special Piston rod thread
- IP65
- Stainless Steel Piston Rod
- Internal Linear Encoder SSI

Degree of protection to IEC 60529	IP54
Duty cycle [%]	100
Max. acceleration	15 [m/s ²]
Max. rotational speed	3500 RPM
Repetition accuracy	±0.03 mm

Suitable for all Pneumatic Cylinder mounting Equipment.

Piston rod protected against rotation (up to 600mm) with plain-bearing guide



mm

A	B	C	ØD	ØE	F	G	I	M	N	Z	X**	ØO
108	35,5	35,5	45	32	M16x1,5	32	29	76	56,5	15	70	M8

* Stroke

** X,Y,Z Varies depending on the selected Motor