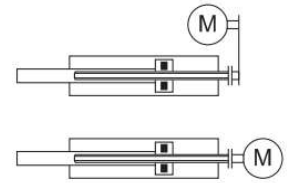


The IMT actuators are developed for application requiring linear movements and positioning to a high degree of accuracy, repeatability and speed variations in synchronised system.

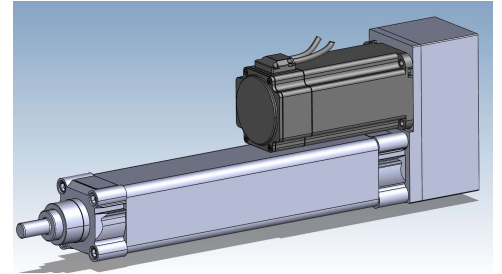
They are made with a ball screw, which is rotated by an electric motor, and a ball nut driving the external piston for the ISO 15552 cylinder.



|                          |                                    |
|--------------------------|------------------------------------|
| <b>Heads</b>             | 7075 aluminum with anodized finish |
| <b>Piston Rod</b>        | Chrome Plated Steel                |
| <b>Barrel</b>            | Anodized profiled aluminum tube    |
| <b>Seals</b>             | Polyurethane                       |
| <b>Temperature Range</b> | (-10° & +80°)                      |
| <b>Standard</b>          | according to ISO15552              |

|                               |  |
|-------------------------------|--|
| <b>Standard Strokes</b>       | Up to 1000 mm as standard, more on Request |
| <b>Nominal Cylinder Force</b> | 12000 N                                    |
| <b>Max. Speed</b>             | 500 mm / sec Δ 3000 rpm                    |
| <b>Ball Screw</b>             | 32 x 10 mm                                 |
| <b>Ball Screw Capacity</b>    | Static 70,08 KN<br>Dynamic 33,4 KN         |
| <b>Motor Type</b>             | Servo or Stepper                           |

|  |                       |
|--|-----------------------|
| <b>Degree of protection to IEC 60529</b> | IP54                  |
| <b>Duty cycle [%]</b>                    | 100                   |
| <b>Max. acceleration</b>                 | 8 [m/s <sup>2</sup> ] |
| <b>Max. rotational speed</b>             | 3500 RPM              |
| <b>Repetition accuracy</b>               | ±0.03 mm              |

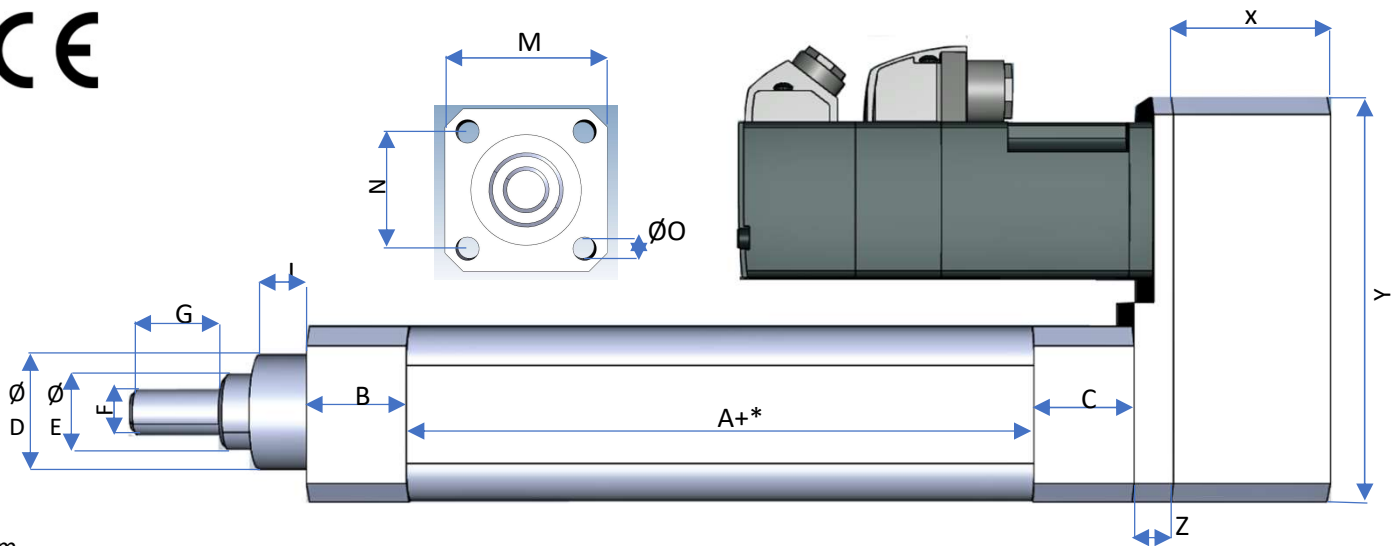


### Other Options

- Extended Rod
- Special Piston rod thread
- IP65
- Stainless Steel Piston Rod
- Internal Linear Encoder SSI

Suitable for all Pneumatic Cylinder mounting Equipment.

Piston rod protected against rotation (up to 600mm) with plain-bearing guide



mm

| A   | B  | C  | ØD | ØE | F     | G  | I    | M   | N  | Z  | X** | ØO  |
|-----|----|----|----|----|-------|----|------|-----|----|----|-----|-----|
| 152 | 38 | 38 | 80 | 50 | M27x2 | 54 | 37,5 | 112 | 89 | 20 | 80  | M10 |

\* Stroke

\*\* X,Y,Z Varies depending on the selected Motor